

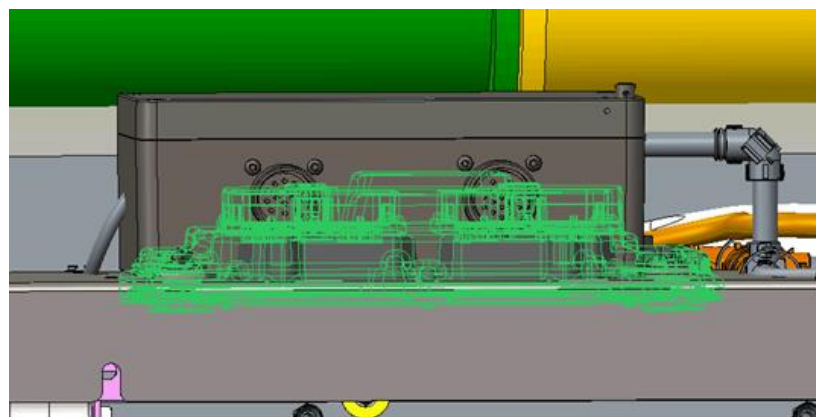
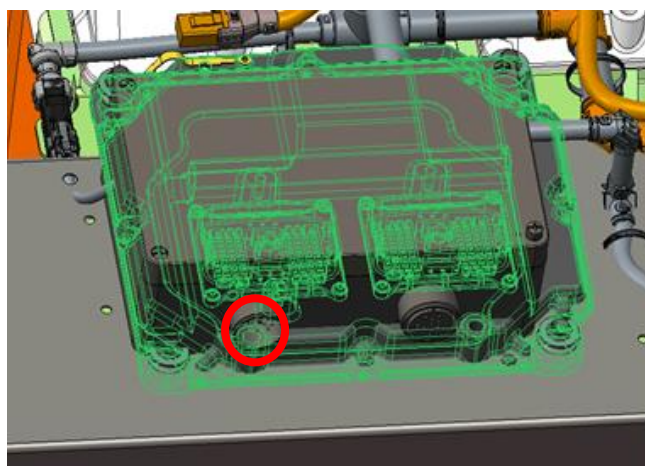
Product Bulletin

Product Bulletin	Change of non-Perkins Engine Controller (PEC) to PEC controller. Supersedes Product Bulletin PB0294 for 12 cylinder engines only
Segment	Electric power
Engine Platforms	4012 Series – specifically 4012-46 1500rpm engines
Engine Build Lists	Please see appendix for all build lists affected
Details of Change What is the Change	Customers will see a change from the from the current control box back to the Perkins Electronic Controller (PEC). This will impact 4012-46TAG0/1/2/3 & 4012-46TWG2/3 1500rpm fuel-optimised and emissions-capable variants
Reason for Change Why was the change made?	To ensure continuity of supply
OEM Effect What is the effect on Form, Fit or Function?	<p>Customers will see a revised engine controller as per the images below.</p> <p>This change impacts slightly the customer wiring harness length and interface to the engine. Please refer to <i>figure 1</i>. The revised customer wiring schematics for the engines equipped with the PEC controller can be obtained by contacting the Perkins applications team</p> <p>Please note that the use of the Pandaros Packager/DC Desk service tool will revert back to the Perkins Electronic Service Tool (EST) as per the engines which already use the PEC.</p> <p>Customers can access the EST software using the usual lead and dongle system connected to https://customer.perkins.com/en/product-support/tipss/est.html</p> <p>The applications and installations (A&I) manual TPD2146 is available from your Perkins applications engineer.</p> <p>Customers are also asked to contact their Perkins account manager or applications engineer should they require 3D models and/or general arrangement (GA) drawings which reflect this product change</p>
Impact on Aftermarket	<ul style="list-style-type: none"> Customers who still have engines with the previous controller (part number 502-1995) should please order T403522 in the aftermarket Customers with the new PEC controller should order part number 4620006. There is no T number for the PEC controller <p>Please note the controllers are not interchangeable</p>
Availability	Existing orders will need to be replaced with orders for alternative build lists (please see appendix for details).

Product Bulletin

	<p>Your account co-ordinator will be contacting you shortly to revise your order, where appropriate.</p> <p>Open order board: immediate</p> <p>Production start date: 8th August 2022</p> <p>First shipment date:</p> <p>Aurangabad, August 22, 2022 ;</p> <p>Stafford, August 24, 2022</p> <p>Any engine controller orders not fulfilled prior to the production start date will be converted to the new controller. Perkins intend to maintain this configuration on the impacted 4012-46 products in future</p>
<p>General Comments</p>	<p>Please refer to images following. Please note these images are for illustration only. Please check with your Perkins application engineer for the exact controller location on your particular engine.</p>

Figure 1: Controller comparison.
 Black – existing controller. Green – new PEC controller
 New PEC controller slightly offset from the current one by 50-75mm



Product Bulletin

Appendix – build lists affected

Description	Current controller build list number	New PEC (Perkins Electronic Controller)
4012-46TAG0A 1500RPM EP	DGLM1576	DGLM0219
	DGLM1579	DGLM0240
	DGLM1573	DGLM0110
	DGLM1584	DGLM0448
	DGLM1572	DGLM0109
	DGLM1581	DGLM0352
	DGLM1582	DGLM0446
	DGLM1583	DGLM0447
	DGLM1585	DGLM0449
	DGLM1586	DGLM0450
	DGLM1587	DGLM0451

Description	Current controller build list number	New PEC (Perkins Electronic Controller)
4012-46TAG0A 1500RPM EU	DGLM1571	DGLM0106
	DGLM1574	DGLM0111
	DGLM1575	DGLM0113
	DGLM1577	DGLM0221
	DGLM1578	DGLM0224
	DGLM1580	DGLM0348

Product Bulletin

Description	Current controller build list number	New PEC (Perkins Electronic Controller)
4012-46TAG1A 1500RPM EP	DGAM1494	DGAM0334
	DGAM1487	DGAM0050
	DGAM1416	DGAM0562
	DGAM1489	DGAM0165
	DGAM1490	DGAM0177
	DGAM1492	DGAM0222
	DGAM1498	DGAM0453
	DGAM1499	DGAM0454
	DGAM1500	DGAM0455
	DGAM1501	DGAM0456
	DGAM1502	DGAM0457
	DGAM1497	DGAM0452

Description	Current controller build list number	New PEC (Perkins Electronic Controller)
4012-46TAG1A 1500RPM EU	DGAM1398	DGAM0046
	DGAM1488	DGAM0163
	DGAM1491	DGAM0186
	DGAM1493	DGAM0227
	DGAM1495	DGAM0337
	DGAM1496	DGAM0343

Product Bulletin

Description	Current controller build list number	New PEC (Perkins Electronic Controller)
4012-46TAG2A 1500RPM EP	DGBM1400	DGBM0463
	DGBM1401	DGBM0468
	DGBM1504	DGBM0055
	DGBM1521	DGBM0466
	DGBM1516	DGBM0459
	DGBM1449	DGBM0058
	DGBM1454	DGBM0464
	DGBM1450	DGBM0067
	DGBM1452	DGBM0074
	DGBM1519	DGBM0462
	DGBM1520	DGBM0465
	DGBM1524	DGBM0470
	DGBM1525	DGBM0471
	DGBM1530	DGBM0511
	DGBM1532	DGBM0517
	DGBM1526	DGBM0472
	DGBM1503	DGBM0051
	DGBM1529	DGBM0507
	DGBM1509	DGBM0069
	DGBM1510	DGBM0178
	DGBM1514	DGBM0445
	DGBM1515	DGBM0458
	DGBM1522	DGBM0467
	DGBM1523	DGBM0469
	DGBM1527	DGBM0473
	DGBM1517	DGBM0460
DGBM1518	DGBM0461	
DGBM1448	DGBM0057	

Product Bulletin

Description	Current controller build list number	New PEC (Perkins Electronic Controller)
4012-46TAG2A 1500RPM EU	DGBM1399	DGBM0063
	DGBM1431	DGBM0052
	DGBM1432	DGBM0079
	DGBM1505	DGBM0056
	DGBM1451	DGBM0071
	DGBM1453	DGBM0081
	DGBM1528	DGBM0503
	DGBM1531	DGBM0514
	DGBM1506	DGBM0060
	DGBM1418	DGBM0062
	DGBM1507	DGBM0065
	DGBM1508	DGBM0068
	DGBM1511	DGBM0187
	DGBM1512	DGBM0232
DGBM1513	DGBM0263	

Product Bulletin

Description	Current controller build list number	New PEC (Perkins Electronic Controller)
4012-46TAG3A 1500RPM EP	DGDM1535	DGDM0093
	DGDM1542	DGDM0182
	DGDM1404	DGDM0100
	DGDM1405	DGDM0166
	DGDM1434	DGDM0482
	DGDM1455	DGDM0084
	DGDM1456	DGDM0085
	DGDM1457	DGDM0091
	DGDM1458	DGDM0101
	DGDM1533	DGDM0082
	DGDM1534	DGDM0092
	DGDM1537	DGDM0099
	DGDM1538	DGDM0102
	DGDM1545	DGDM0236
	DGDM1570	DGDM0508
	DGDM1547	DGDM0259
	DGDM1551	DGDM0409
	DGDM1553	DGDM0420
	DGDM1554	DGDM0474
	DGDM1555	DGDM0475
	DGDM1556	DGDM0476
	DGDM1557	DGDM0477
	DGDM1558	DGDM0478
	DGDM1559	DGDM0479
	DGDM1560	DGDM0480
	DGDM1561	DGDM0481
	DGDM1562	DGDM0483
	DGDM1563	DGDM0484
	DGDM1564	DGDM0485
	DGDM1565	DGDM0486
	DGDM1566	DGDM0487
	DGDM1567	DGDM0488
DGDM1568	DGDM0489	
DGDM1569	DGDM0490	
DGDM1536	DGDM0096	

Product Bulletin

Description	Current controller build list number	New PEC (Perkins Electronic Controller)
4012-46TAG3A 1500RPM EU	DGDM1403	DGDM0094
	DGDM1419	DGDM0083
	DGDM1433	DGDM0095
	DGDM1406	DGDM0235
	DGDM1402	DGDM0086
	DGDM1539	DGDM0167
	DGDM1540	DGDM0168
	DGDM1541	DGDM0180
	DGDM1543	DGDM0229
	DGDM1544	DGDM0234
	DGDM1546	DGDM0257
	DGDM1548	DGDM0264
	DGDM1549	DGDM0341
	DGDM1550	DGDM0388
	DGDM1552	DGDM0413

Description	Current controller build list number	New PEC (Perkins Electronic Controller)
4012-46TWG2A 1500RPM EP	DGKM1413	DGKM0495
	DGKM1411	DGKM0492
	DGKM1408	DGKM0119
	DGKM1412	DGKM0494
	DGKM1436	DGKM0501
	DGKM1409	DGKM0122
	DGKM1459	DGKM0491
	DGKM1460	DGKM0493
	DGKM1593	DGKM0496
	DGKM1594	DGKM0497

Description	Current controller build list number	New PEC (Perkins Electronic Controller)
4012-46TWG2A 1500RPM EU	DGKM1410	DGKM0127
	DGKM1407	DGKM0117
	DGKM1590	DGKM0130
	DGKM1589	DGKM0129
	DGKM1435	DGKM0124
	DGKM1588	DGKM0128
	DGKM1591	DGKM0312
	DGKM1592	DGKM0351

Product Bulletin

Description	Current controller build list number	New PEC (Perkins Electronic Controller)
4012-46TWG3A 1500RPM EP	DGNM1415	DGNM0498
	DGNM1599	DGNM0499

Description	Current controller build list number	New PEC (Perkins Electronic Controller)
4012-46TWG3A 1500RPM EU	DGNM1414	DGNM0136
	DGNM1595	DGNM0132
	DGNM1596	DGNM0134
	DGNM1600	DGNM0516
	DGNM1597	DGNM0139
	DGNM1598	DGNM0141